



DWC-D3763WTIR



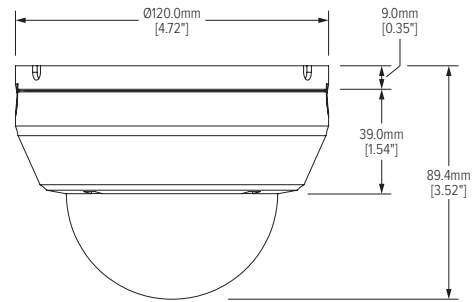
## Summary

Groundbreaking STAR-LIGHT AHD™ High Definition Cameras use existing coaxial cables to transmit crystal-clear detailed 1080p images. The cameras offer 2.1MP resolution along with powerful features such as P-Iris Lens, Double Shutter Wide Dynamic Range (WDR) and True Day/Night with Mechanical IR Cut Filter. The STAR-LIGHT AHD cameras are engineered to work with VMAX AHD DVRs, offering an easy upgrade from analog to high definition surveillance using existing infrastructure for a cost-effective, high resolution surveillance solution.

## Features

- Analog High Definition (AHD) HD over Coax Technology
- STAR-LIGHT™ Super Low Light Technology
- Panasonic 1/3" CMOS Sensor
- 1080p Resolution at 30fps
- Wide Dynamic Range (WDR)
- Varifocal P-Iris Lens 2.8~12mm
- Smart IR™ with Intelligent Camera Sync. 100ft Range
- Smart DNR™ 3D Digital Noise Reduction
- Highlight Masking Exposure (HME)
- True Day/Night with Mechanical IR Cut Filter
- Secondary Video-BNC Output
- Easy Icon Driven OSD Menu with Built-in Joystick
- Programmable Privacy Zones
- Auto Gain Control (AGC)
- Backlight Compensation (BLC)
- Dynamic Range Compressor (DRC) Reveals Low Light Detail
- Auto White Balance (AWB)

## Dimensions (unit : mm [inch])



## Specifications

IMAGE	
Image Sensor	Panasonic 1/3" CMOS
Active Pixels	1944 (H) x 1092 (V)
Scanning System	Progressive Scan
Frequency	60Hz / 50Hz
Signal Technology	2.0 Megapixel AHD
Synchronization	Internal
Resolution	1920x1080 (1080p)
Minimum Scene Illumination	F1.4 (30IRE): 0.35Lux [Color]
	F1.4 (30IRE): 0 Lux [B&W]
S/N Ratio	55dB
Video Output	AHD 1080p30fps / 720p60fps / 720p30fps
Alarm Output	1 Alarm Output
LENS	
Focal Length	2.8 ~ 12mm
Lens Type	Vari-Focal P-Iris
IR Distance	100ft
OPERATIONAL	
Shutter Speed	1/30(25) – 1/30,000
Backlight	Off / On
STAR-LIGHT (Sense-up)	Off, x2 – x32
Wide Dynamic Range (WDR)	Off / On
Digital Noise Reduction	Off, Low, Middle, High
White Balance	Auto / Auto-Ex / Preset / Manual
Day and Night	Day / Night / Auto
Mirror / Flip	Yes
Auto Gain Control	Max 60dB
Motion Detection	Yes
Privacy Zones	16 Privacy Zones
Sharpness	0 ~ 10
Gamma	0.45 ~ 0.75
RS485 / UTP Built-in	PELCO D / PELCO C
Digital Zoom	x1.0 ~ x16.0
ENVIRONMENTAL	
Operating Temperature	-20°C ~ 50°C (-4°F ~ 122°F)
Operating Humidity	Less than 90% (Non-Condensing)
Other Certifications	FCC, CE, ROHS
ELECTRICAL	
Power Requirements	DC12V / AC24V Dual Voltage
Power Consumption	DC12V: 3.1W, 258mA, LED On: 5.41W, 450mA AC24V: 3.0W, 125mA, LED On: 5.15W, 215mA
MECHANICAL	
Material	Plastic
Dimensions	120 x 89.4 mm (4.72 x 3.52 inch)
Weight	226.8 g (0.5 lbs)

\*Specifications subject to change without notice.